

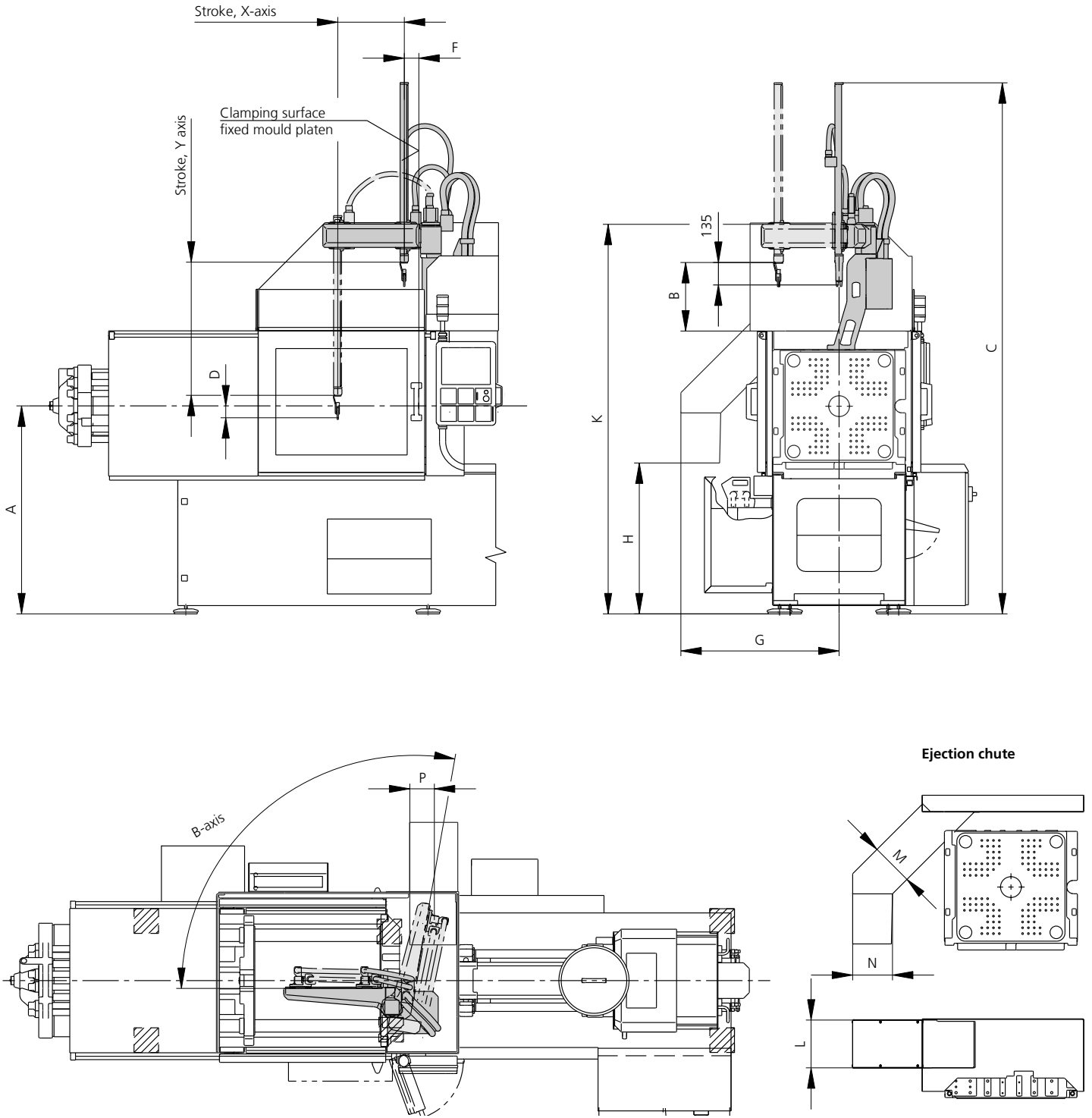
# INTEGRALPICKER V

Machine size: 270-570

Handling weight: 1 kg

**ARBURG**

# TECHNICAL DATA | INTEGRALPICKER V



# TECHNICAL DATA | INTEGRALPICKER V

| Machine type                | Dim. A | Dim. B | Dim. C | Dim. D | Dim. F | Dim. G | Dim. H | Dim. K | Dim. L | Dim. M | Dim. N | Dim. P |
|-----------------------------|--------|--------|--------|--------|--------|--------|--------|--------|--------|--------|--------|--------|
|                             | mm     | mm     | mm     | mm     | mm     | mm     | mm     | mm     | mm     | mm     | mm     | mm     |
| <b>270 A / H</b>            | 1220   | 370    | 2940   | 105    | 105    | 760    | 905    | 2180   | 230    | 150    | 155    | 170    |
| <b>270 S</b>                | 1168   | 370    | 2890   | 105    | 105    | 760    | 855    | 2130   | 230    | 150    | 155    | 170    |
| <b>270 C GOLDEN EDITION</b> | 1170   | 380    | 2920   | 75     | 100    | 800    | 920    | 2160   | 185    | 130    | 135    | 110    |
| <b>320 C GOLDEN EDITION</b> | 1170   | 380    | 2920   | 75     | 100    | 800    | 920    | 2160   | 185    | 130    | 135    | 110    |
| <b>370 A / E / H / S</b>    | 1220   | 350    | 3020   | 35     | 100    | 960    | 920    | 2250   | 230    | 195    | 200    | 160    |
| <b>E GOLDEN ELECTRIC</b>    |        |        |        |        |        |        |        |        |        |        |        |        |
| <b>420 C GOLDEN EDITION</b> | 1248   | 365    | 3170   | 115    | 88     | 950    | 905    | 2305   | 285    | 250    | 235    | 135    |
| <b>470 A / E / H / S</b>    | 1302   | 380    | 3260   | 70     | 88     | 1120   | 925    | 2395   | 275    | 235    | 250    | 165    |
| <b>E GOLDEN ELECTRIC</b>    |        |        |        |        |        |        |        |        |        |        |        |        |
| <b>470 C GOLDEN EDITION</b> | 1248   | 410    | 3210   | 70     | 88     | 950    | 905    | 2340   | 285    | 250    | 235    | 135    |
| <b>520 A / E / H / S</b>    | 1348   | 400    | 3350   | 30     | 88     | 1135   | 950    | 2480   | 285    | 250    | 285    | 165    |
| <b>E GOLDEN ELECTRIC</b>    |        |        |        |        |        |        |        |        |        |        |        |        |
| <b>570 A / E / H / S</b>    | 1408   | 440    | 3440   | 0      | 88     | 1220   | 1010   | 2570   | 285    | 250    | 285    | 190    |
| <b>E GOLDEN ELECTRIC</b>    |        |        |        |        |        |        |        |        |        |        |        |        |
| <b>570 C GOLDEN EDITION</b> | 1358   | 375    | 3390   | 0      | 88     | 1060   | 1060   | 2520   | 345    | 245    | 245    | 200    |

## Axes

| Machine type                | Handling weight | X-axis |           | Y-axis   |             | B-axis    |                       | Repeat accuracy | Weight |
|-----------------------------|-----------------|--------|-----------|----------|-------------|-----------|-----------------------|-----------------|--------|
|                             |                 | mm     | Max. mm/s | Standard | extended *) | Max. mm/s | Degrees max. degree/s |                 |        |
|                             | Max. kg         |        |           | mm       | mm          | mm        | mm                    | per axis +/-    | kg     |
| <b>270 A / H / S</b>        | 1.0             | 250    | 1200      | 700      | 800         | 2000      | 100 100               | 0.2             | 50     |
| <b>270 C GOLDEN EDITION</b> | 1.0             | 250    | 1200      | 700      | 800         | 2000      | 100 100               | 0.2             | 50     |
| <b>320 C GOLDEN EDITION</b> | 1.0             | 250    | 1200      | 700      | 800         | 2000      | 100 100               | 0.2             | 50     |
| <b>370 A / E / H / S</b>    | 1.0             | 250    | 1200      | 700      | 800         | 2000      | 100 100               | 0.2             | 50     |
| <b>E GOLDEN ELECTRIC</b>    |                 |        |           |          |             |           |                       |                 |        |
| <b>420 C GOLDEN EDITION</b> | 1.0             | 400    | 1200      | 800      | 900         | 2000      | 100 100               | 0.2             | 60     |
| <b>470 A / E / H / S</b>    | 1.0             | 400    | 1200      | 800      | 900         | 2000      | 100 100               | 0.2             | 60     |
| <b>E GOLDEN ELECTRIC</b>    |                 |        |           |          |             |           |                       |                 |        |
| <b>470 C GOLDEN EDITION</b> | 1.0             | 400    | 1200      | 800      | 900         | 2000      | 100 100               | 0.2             | 60     |
| <b>520 A / E / H / S</b>    | 1.0             | 400    | 1200      | 800      | 900         | 2000      | 100 100               | 0.2             | 60     |
| <b>E GOLDEN ELECTRIC</b>    |                 |        |           |          |             |           |                       |                 |        |
| <b>570 A / E / H / S</b>    | 1.0             | 400    | 1200      | 800      | 900         | 2000      | 100 100               | 0.2             | 60     |
| <b>E GOLDEN ELECTRIC</b>    |                 |        |           |          |             |           |                       |                 |        |
| <b>570 C GOLDEN EDITION</b> | 1.0             | 400    | 1200      | 800      | 900         | 2000      | 100 100               | 0.2             | 60     |

\*) Optional

# EQUIPMENT | INTEGRALPICKER V

## The use of the INTEGRALPICKER V requires an ARBURG ALLROUNDER.

- Retrofittable, flexible version for size 270 to 570 ALLROUNDERS from year of construction 2000. Operation with independent SELOGICA control system, signal exchange via EUROMAP 67

### Axes

- Main axes with servo-electric drive for rapid, simultaneous movements with a high repeat accuracy

### Gripper

- Sprue grippers, pneumatically operated with spring return
- Additional sprue grippers, pneumatically-operated with spring return movement
- Sensor system for sprue monitoring

### Pneumatic valves for grippers

- All pneumatic valves connected to the gripper flange with rapid connect couplings

### Vacuum equipment for grippers

- Vacuum equipment (venturi principle) for parts handling with suction devices (maximum 2)
- All vacuum devices connected near the gripper. Including vacuum switches for parts monitoring

### Pneumatic maintenance unit

- Manually-adjustable filter pressure reducer for adjusting the pressure level
- Electric on/off function

### Control

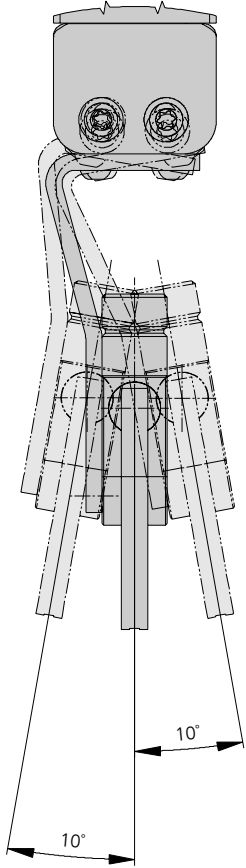
- Sequence programming with symbols via SELOGICA. Teach-in function for user-friendly sequence programming
- Display selection via function and direct access keys
- Cycle step display in sequence diagram
- Robot system can be moved in units analogous to the cycle sequence
- Three different speeds can be selected in manual mode for fast and reliable programming. Axes can be moved progressively or incrementally (0.1 mm, 1 mm or 10 mm)
- Data record for robotic system integrated in data record for injection moulding machine (not with independent SELOGICA control system)
- Synchronous movements of robotic system with ejector and mould opening movement
- Interface between robotic system and injection moulding machine

■ Basic machine

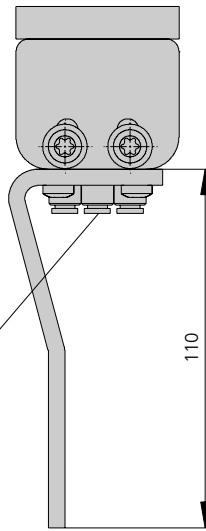
○ Optional

# GRIPPER ADAPTATIONS | INTEGRALPICKER V

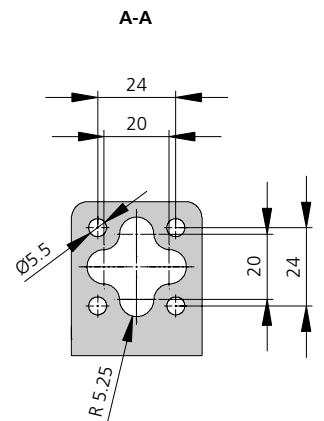
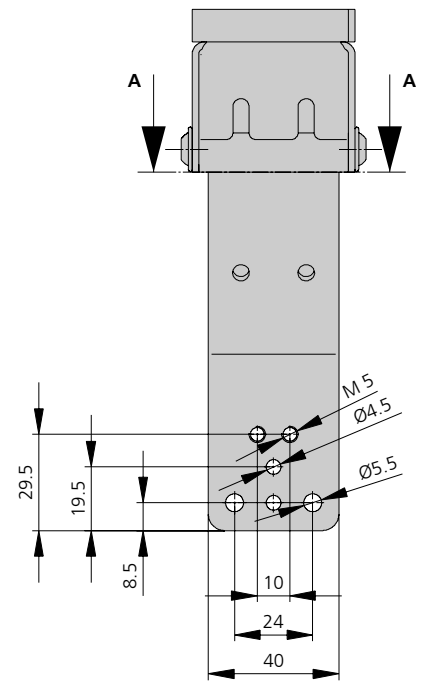
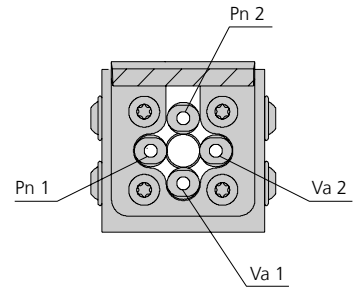
Adjustment range for sprue grippers  $\pm 10^\circ$



Connector for  
hose size DA 4 / DI 2.8

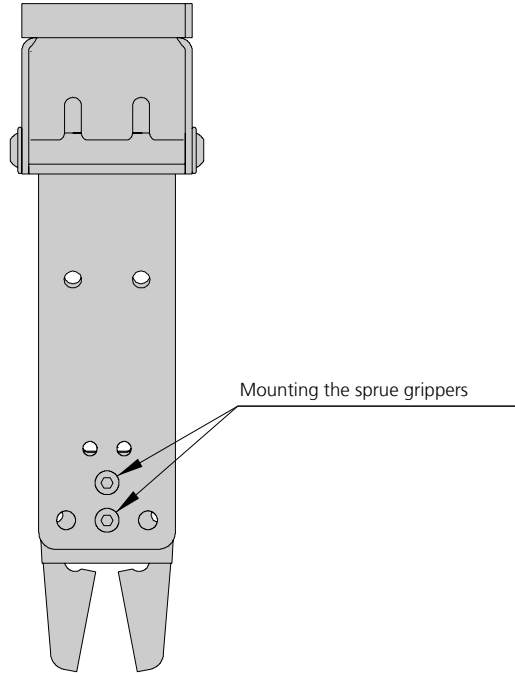
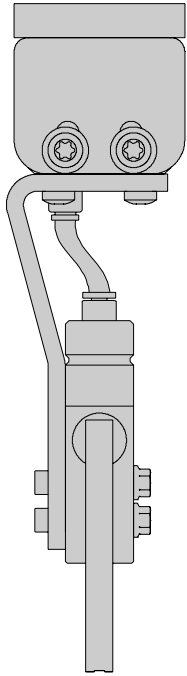


Gripper interface

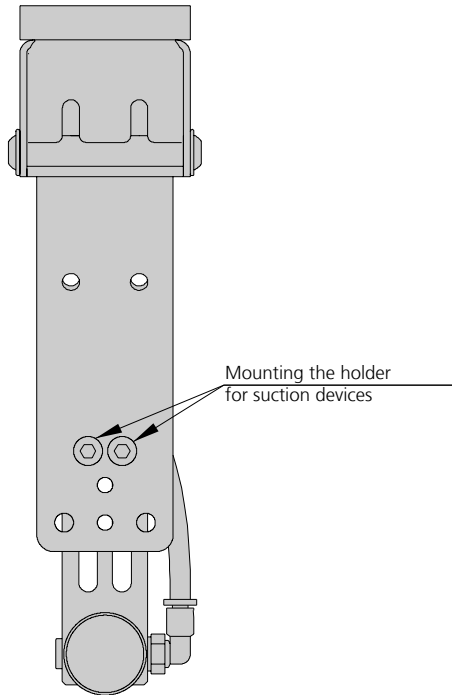
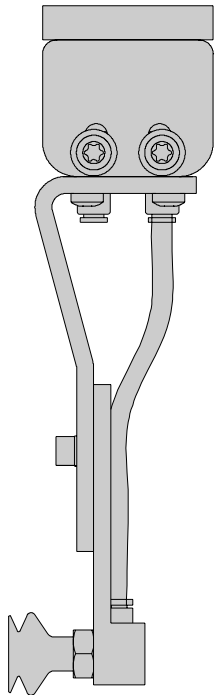


# GRIPPER ADAPTATIONS | INTEGRALPICKER V

with 1 sprue gripper:

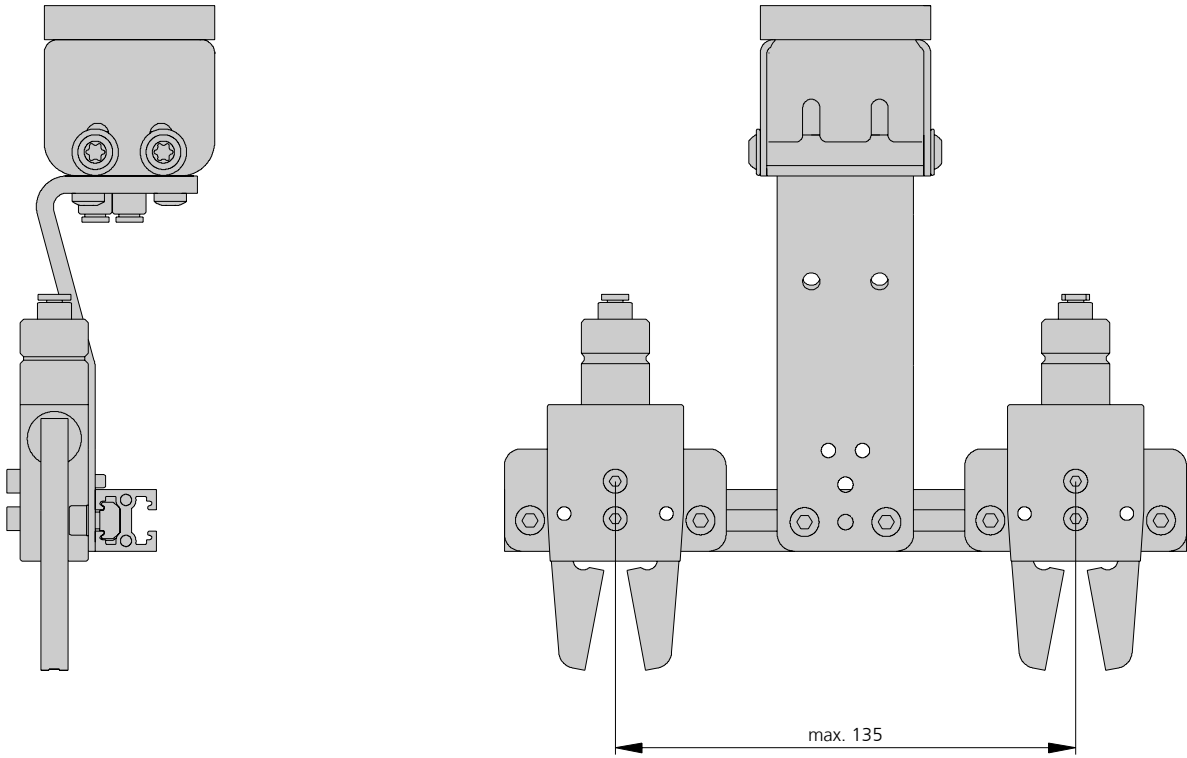


with 1 vacuum circuit (optional):

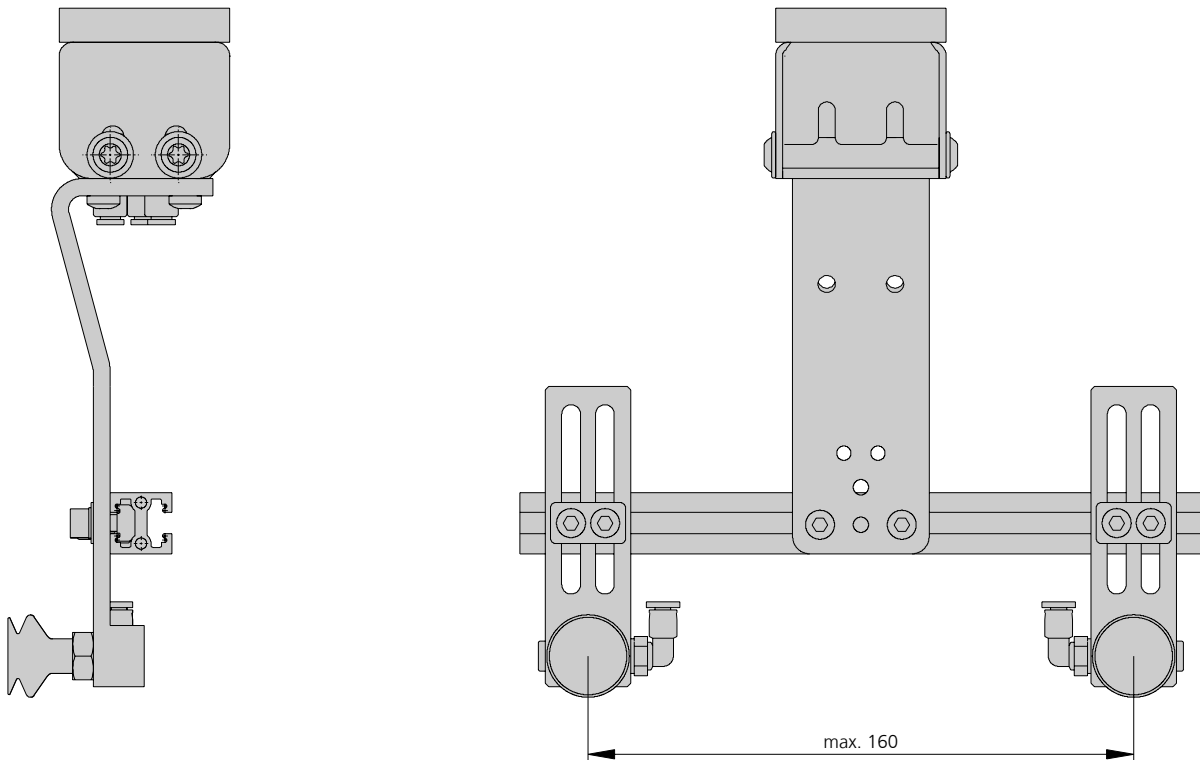


# GRIPPER ADAPTATIONS | INTEGRALPICKER V

with 2 sprue grippers (optional):



with 2 vacuum circuits (optional):



**ARBURG GmbH + Co KG**

Arthur-Hehl-Strasse  
72290 Lossburg  
Tel.: +49 7446 33-0  
[www.arburg.com](http://www.arburg.com)  
[contact@arburg.com](mailto:contact@arburg.com)